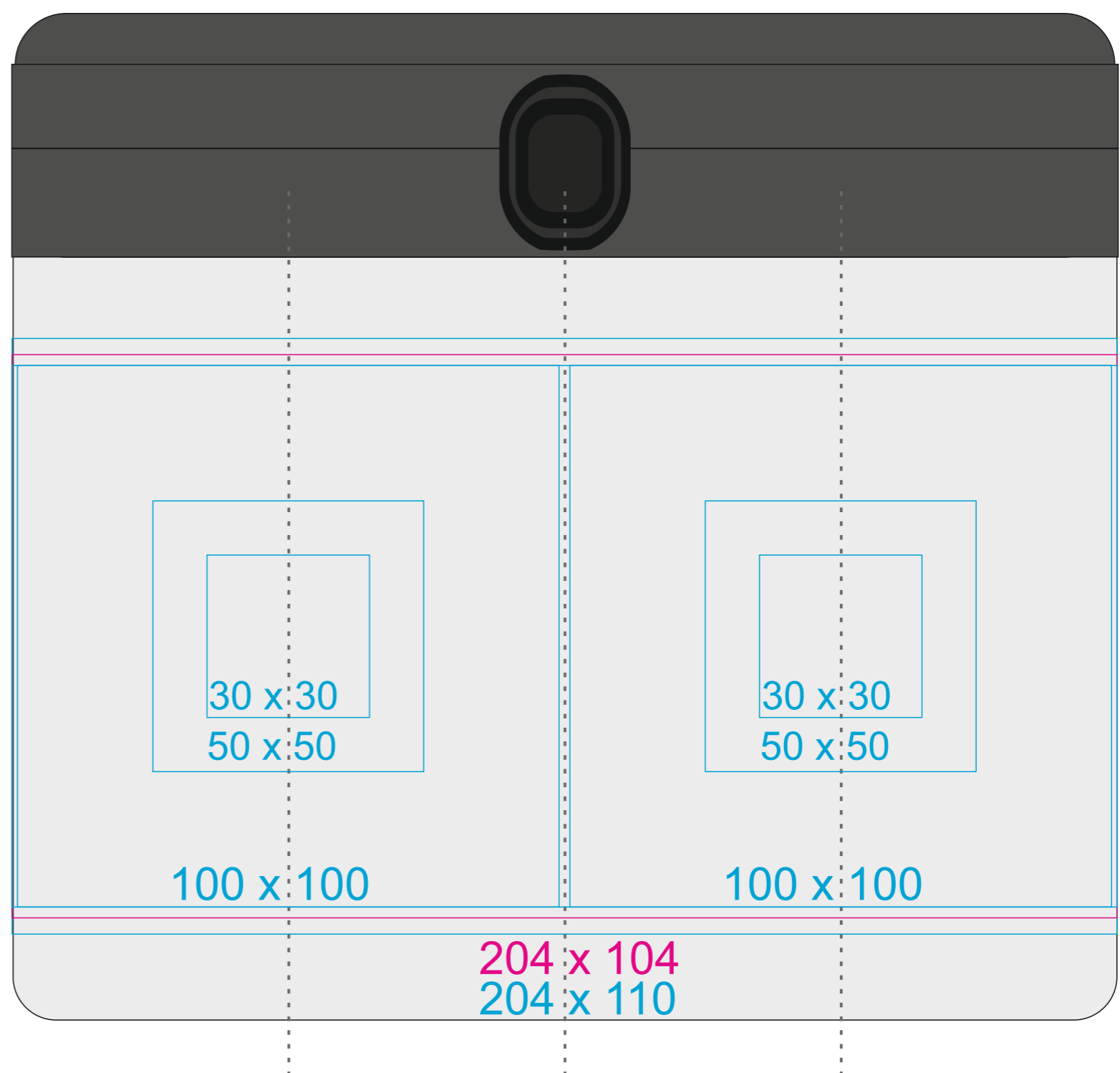
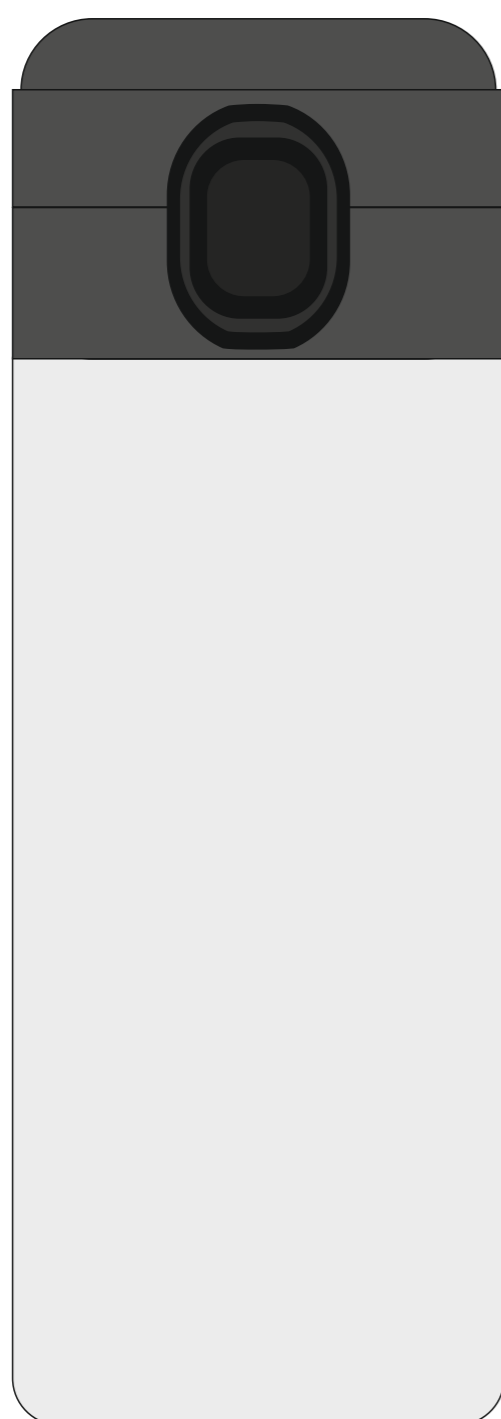
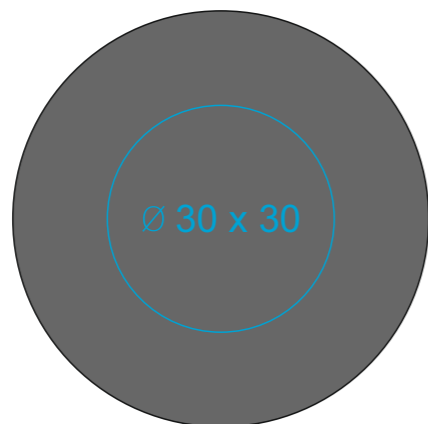


M_479S Vega

310 ml / h: 180 mm / Ø 77 mm / Ø 66 mm



[How to prepare print material](#)

meaning

- Digital Print 360
- Laser Engraving