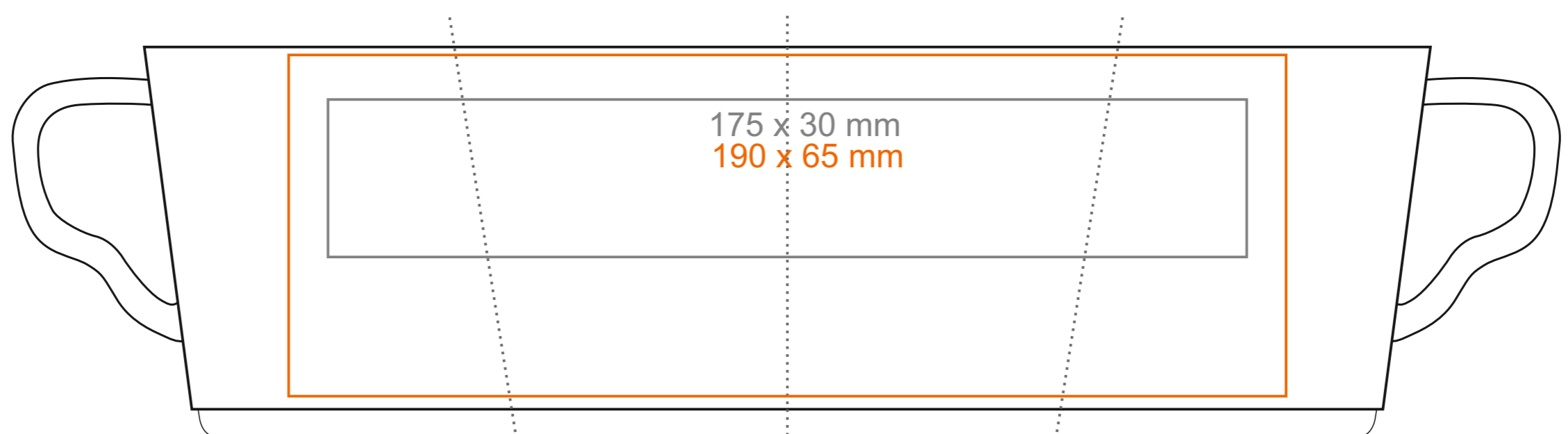
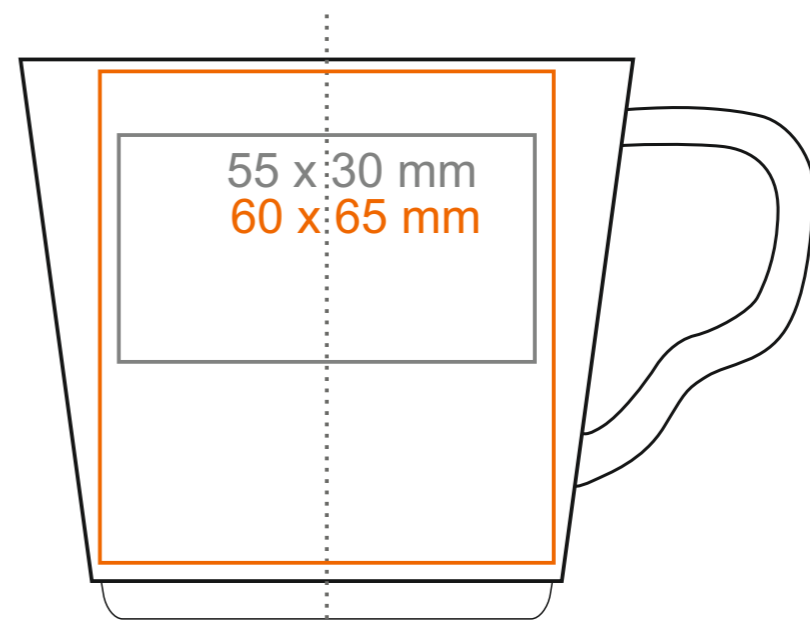
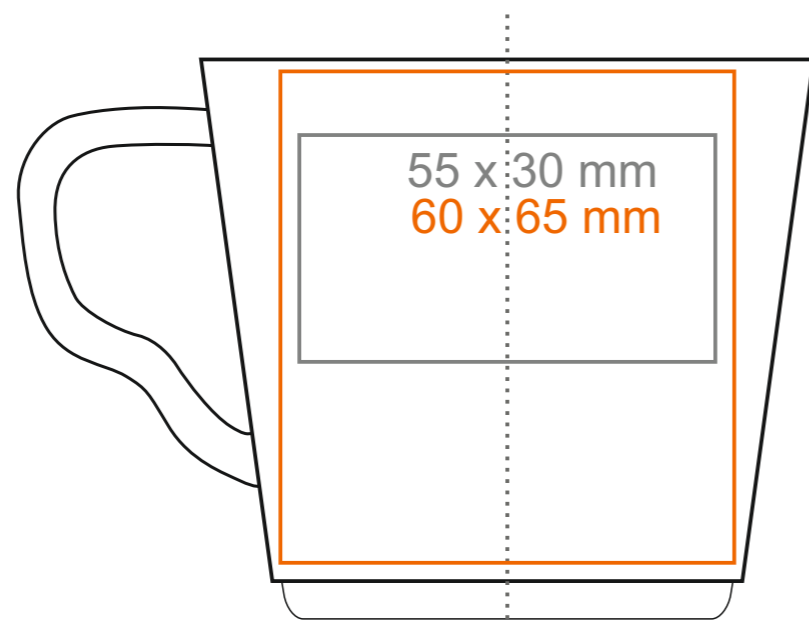
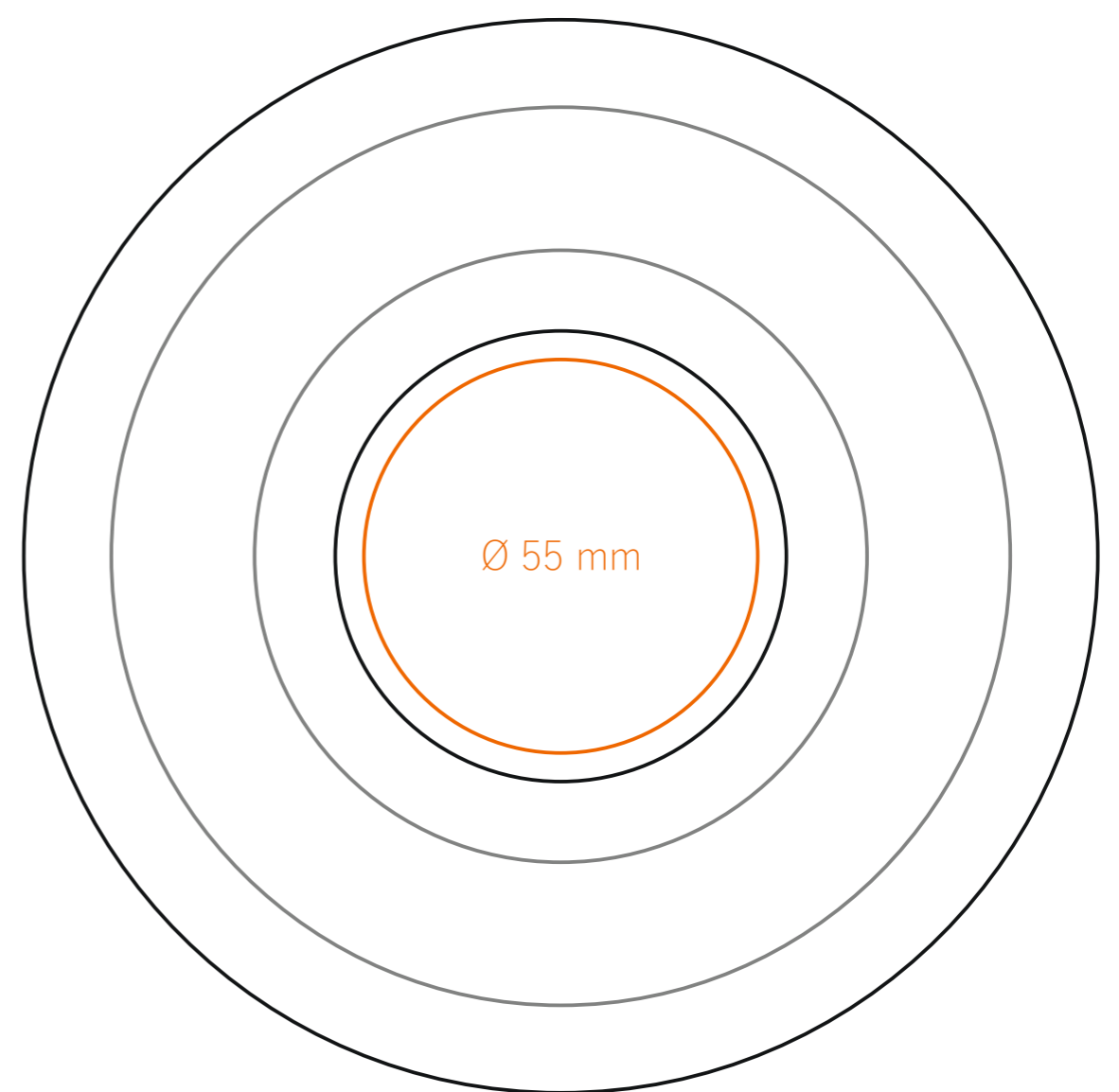


# C\_244 Prince set

220 ml / h: 74 mm / Ø 81 mm



saucer Ø 150 mm



Imprint on the handle  
Imprint on the inside  
Imprint on the bottom inside  
Imprint on the bottom outside

- 50 x 10 mm
- 40 x 20 mm
- Ø 30 mm
- Ø 35 mm

\*In the case of projects for transfer print running outside of the standard print area, please contact our sales department.

[How to prepare print material](#)

meaning

- Transfer Print
- Sensitive Touch
- Direct Print